

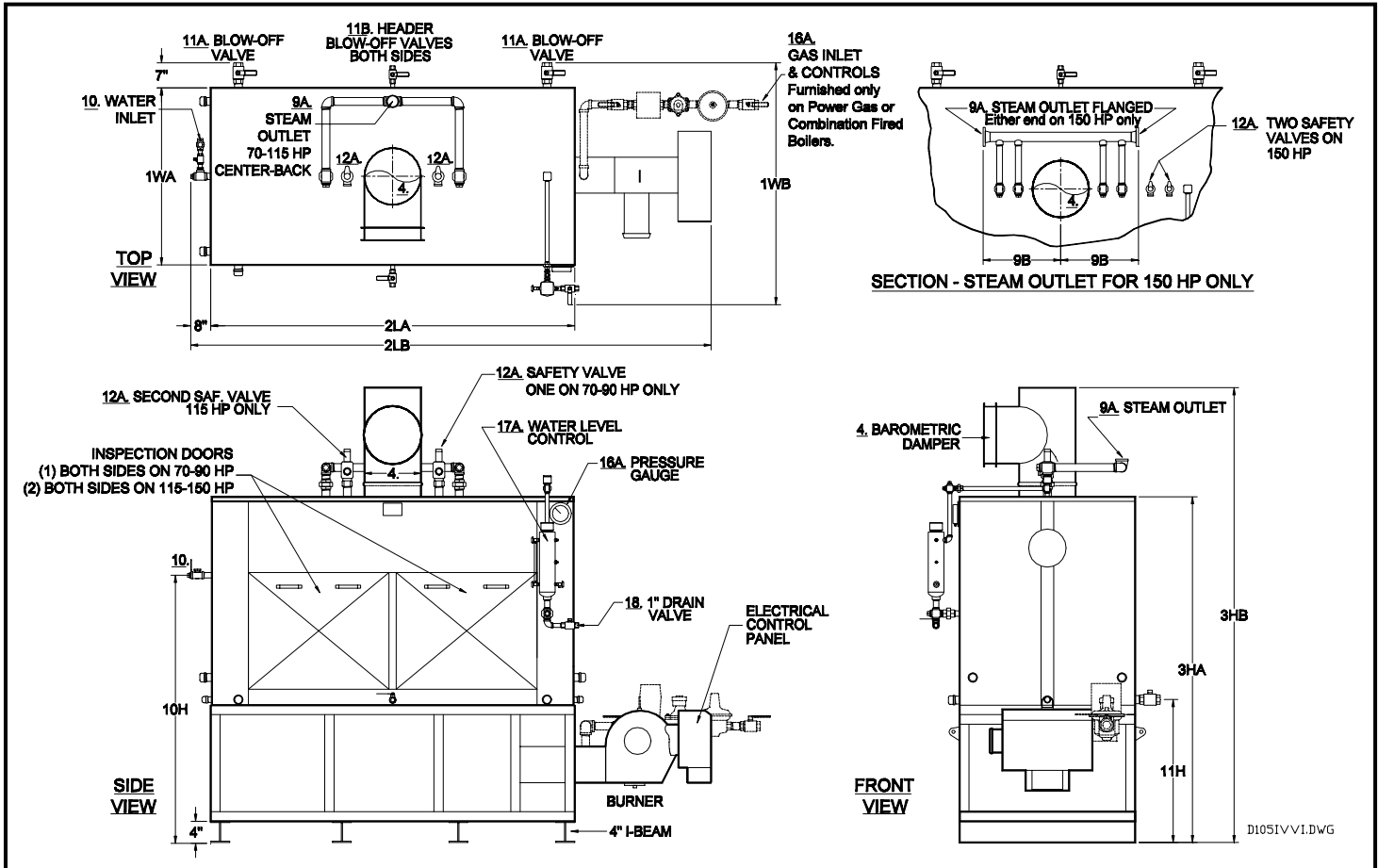
		MODEL NO.	105-70	105-90	105-115	105-150
NO.		HORSEPOWER	70 HP	90 HP	115 HP	150 HP
A	BTU Input	1000's BTU/HR	2940	3780	4830	6300
B	BTU Output at rating from and at 212°F	1000's BTU/HR	2352	3024	3864	5040
C	Heating Surface	SQ. FT.	349	456	593	793
D	Rated Steaming Capacity from and at 212°F	LBS. PER HR.	2415	3105	3968	5175
1WA	Width Cabinet Only	IN.	56	56	56	56
1WB	Width Overall Including Controls	IN.	82	82	82	82
2LA	Length of Cabinet Only	IN.	80	98	116	156
2LB	Length Overall Including Controls	IN.	98	116	134	174
3HA	Height of Cabinet Only	IN.	72	72	72	72
3HB	Height Overall Including Barometric Damper (Std) (Vert. Outlet / Horizont.)	IN.	107 / 104	107 / 107	113 / 112	113 / 116
4	Vent Stack Diameter with Barometric Damper (Std)	IN.	18	20	22	26
5	Vent Stack Minimum Height Above Boiler @ Sea Level	FT.	6	6	6	6
7A	Std. Nat. Gas Inlet Size	IN.	2	2-1/2	3	3
7A1	Std. Nat. Gas Inlet Supply Press: Max: 14" WC; Min: ___" WC	MIN. IN. WC	7	7	10	10
7A2	Natural Gas Manifold Pressure at Burner	IN. WC	4	4	4	4
7B	Hi Press. Nat. & Propane Gas Inlet Size/Supply Press. 1-5 PSI	IN.	1-1/2	1-1/2	2	2
7B1	Propane Manifold Pressure at Burner	IN. WC	18	18	18	18
7H	Gas Inlet Height From Floor	IN.	18	20	21	21
9A HP	Steam Outlet Size - High Pressure 60 to 250 PSI - Standard	IN.	2-1/2	2-1/2	3	3 FLG.
9 LP	Steam Outlet Size - Low Pressure 15 PSI or less - Special Order	IN.	5 FLG.	5 FLG.	6 FLG.	6 FLG.
9B	Steam Outlet Location - From Center of Boiler	IN.	Center-Back	Center-Back	Center-Back	33
10	Water Inlet Size	IN.	1-1/2	1-1/2	1-1/2	1-1/2
10H	Water Inlet Height From Floor	IN.	47	47	47	47
11A	Blow-off Valve Size	IN.	(2) 2	(2) 2	(2) 2	(2) 2
11H	Blowdown Line Height From Floor	IN.	7	7	7	7
11B	Header Blow-off Valve Size	IN.	(2) 1	(2) 1	(2) 1	(2) 1
12A HP	Saf. Valve Drain Size - High Press. -100 PSI - Standard	OUTLET IN.	(1) 2	(1) 2	(2) 1-1/2	(2) 1-1/2
12A LP	Saf. Valve Drain Size - Low Press. -15 PSI ("H" Stamp)-Special Order	OUTLET IN.	(1) 2-1/2	(1) 3	(2) 2	(2) 2-1/2
J	Net Weight Of Boiler - Approximate	LBS.	5800	7000	8500	11000
K	Domestic Crated Shipping Weight of Boiler - Approximate	LBS.	6200	7600	9300	12300
L	Same with Return System - Approximate	LBS.	7050	8540	10550	13550

MINIMUM LISTED CLEARANCES TO COMBUSTIBLE CONSTRUCTION:

12"	48"	12"
Cabinet Sides & Rear	Cabinet Top	Baro. Damper Chimney Connector

Recommended Clearances for Access: Inspection Doors 18" (One inspection door must be 38" for tube removal); Controls 24"; Electrical Panel 30"; Additional Space may be required by Local Codes.

Note: All of the above dimensions are for a standard trim model. Due to continuous improvements, specifications are subject to change without notice.



		* DENOTES FUEL (G,O,GO)	MODEL NO.	105-*-70	105-*-90	105-*-115	105-*-150
NO.			HORSEPOWER	70 HP	90 HP	115 HP	150 HP
A	BTU Input		1000's BTU/HR.	2940	3780	4830	6300
B	BTU Output at Rating from and at 212°F		1000's BTU/HR.	2352	3024	3864	5040
C	Heating Surface		SQ. FT.	349	456	593	793
D	Rated Steaming Capacity from and at 212°F		LBS./ HR.	2415	3105	3968	5175
1WA	Width Cabinet Only		IN.	56	56	56	56
1WB	Width Overall Including Controls		IN.	82	82	82	82
2LA	Length of Cabinet Only		IN.	80	98	116	156
2LB	Length Overall Including Controls		IN.	119	141	160	204
3HA	Height of Cabinet Only		IN.	100	103	103	104
3HB	Height Overall Including Barometric Damper		IN.	135	138	144	145
4	Vent Stack Diameter with Barometric Damper		IN.	18	20	22	26
5	Chimney Minimum Height Above Boiler @ Sea Level		FT.	12	12	12	12
7A	Gas Inlet Size - Std. Nat. Gas		IN.	2	2	2-1/2	2-1/2
7A1	Std. Nat. Gas Inlet Supply Pressure; Max: 14" WC; Min. _____" WC	MIN. IN. WC.		7	7-1/2	10	12
8A	Oil Input Required @ Manufacturer's Capacity Rating (No. 2 Light Fuel Oil)	GPH.		21	27	35	45
8B	Oil Supply Line Size - Minimum for up to 30 Ft. Length	IN.		3/4	3/4	1	1
9A HP	Steam Outlet Size - High Pressure 60 to 250 PSI	IN.		2-1/2	2-1/2	3	3 FLG.
9 LP	Steam Outlet Size - Low Pressure 15 PSI or less - Special Order	IN.		5 FLG.	5 FLG.	6 FLG.	6 FLG.
9B	Steam Outlet Location - From Center of Boiler	IN.		Center-Back	Center-Back	Center-Back	33
10	Water Inlet Size	IN.		1-1/2	1-1/2	1-1/2	1-1/2
10H	Water Inlet Height From Floor	IN.		75	78	78	79
11A	Blow-off Valve Size	IN.		(2) 2	(2) 2	(2) 2	(2) 2
11H	Blowdown Line Height From Floor	IN.		36	38	38	39
11B	Header Blow-off Valve Size	IN.		(2) 1	(2) 1	(2) 1	(2) 1
12A HP	Saf. Valve Drain Size - High Press. -100 PSI - Standard	OUTLET IN.		(1) 2	(1) 2	(2) 1-1/2	(2) 1-1/2
12A LP	Saf. Valve Drain Size - Low Press. -15 PSI ("H" Stamp)-Spec'l Order	OUTLET IN.		(1) 2-1/2	(1) 3	(2) 2	(2) 2-1/2
J	Net Weight Of Boiler - Approximate	LBS.		7900	9100	11950	14450
K	Domestic Crated Shipping Weight of Boiler - Approximate	LBS.		8400	9800	12950	15950
L	Same with Return System - Approximate	LBS.		9250	10740	14200	17200
MINIMUM CLEARANCES TO COMBUSTIBLE CONSTRUCTION:		18"		48"		18"	
		Cabinet Sides & Rear		Cabinet Top		Baro. Damper Chimney Connector	
Recommended Clearances for Access: Inspection Doors 18" (One inspection door must be 38" for tube removal); Controls 24"; Electrical Panel 30"; Additional Space may be required by Local Codes							

Note: All of the above dimensions are for a standard trim model. Due to continuous improvements, specifications are subject to change without notice.