

Washer extractors

W475H, W4105H

Features and benefits

- High extraction force for efficient dewatering
- Available with two types of program controls:
 - Compass Control® with:**
 - Large display and one dial for easy program selection
 - Language selection
 - Two Quick Start buttons for frequently used wash programs
 - Wash program packages optimized on *Economy, Performance and Time*
 - Clarus Control® with:**
 - Fully programmable microprocessor
 - All relevant wash parameters can be programmed
 - Programming from key pad or downloading via memory card
- AWS – Automatic Weighing System with Compass Control – determine the wash load and adopt the water intake accordingly. Savings on water and energy if machine is not fully loaded
- Extremely low water and energy consumption – see table below
- Four compartment soap box for manual dosing of powder or liquid detergent
- Large door opening for easy loading/unloading
- Low noise level for pleasant working environment
- Stainless and galvanized steel in all vital parts for high degree of rust protection
- SuperBalance™ guarantees the correct extraction force



Compass Control



Clarus Control

Main options

- Automatic liquid detergent supply (optional I/O board for Compass Control)
- Stainless steel front panel
- Stainless steel side panel (Clarus Control only)
- Connection to payment system or coin meter (Compass Control only)

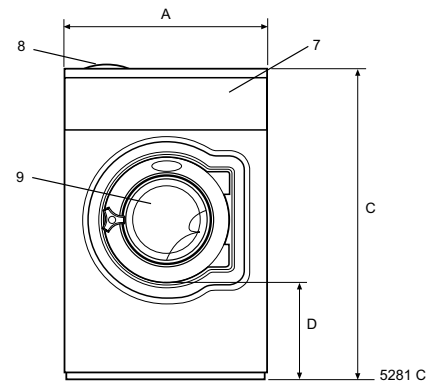
Main specifications		W475H	W4105H
Max. capacity	kg/lb	8/18	11/25
Drum, volume	litre/ft ³	75/2.7	105/3.7
diameter	ø mm/inch	520 / 20 1/2	595 / 23 7/16
Extraction	rpm	1100	1025
G-factor		350	350
Heating alternatives	electricity kW	2/3/5.4/7.4	7.4/9.7
	steam	x	x
	non-heated	x	x
Consumption data "WARM" * (3S03)			
Total time	min	31	32
Water consumption (cold+hot)	litre/gallon	88+4 / 23.2+1.1	125+5 / 33+1.3
Energy consumption (motor)	kWh	0.1	0.15

* Water temperature 59°F cold water and 149°F hot water.

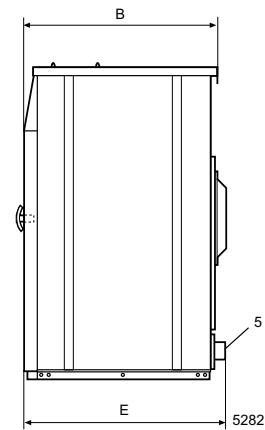
Certified in accordance with ISO 9001 and ISO 14001 and approved IP 24D. Certified in accordance with UL/ETL standards.



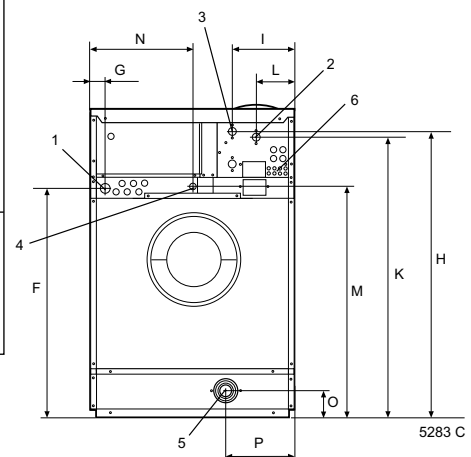
Electrical connections*		W475H	W4105H
Heating Voltage			
El.	208-240V 3AC 60 Hz kW(A)	7.4(25)	9.7(35)
Steam	208-240V 1AC 60 Hz kW(A)	1.1(15)	1.3(15)
or non-heated	100-120V 1AC 60 Hz kW(A)	1.1(15)	1.3(15)
Water and steam connection			
Water valves	inch	3/4	3/4
Water pressure	psi	30-90	30-90
Capacity at 45 psi	l/min / gallon/min	20/5.3	20/5.3
Drain valve	ø mm/inch	75/3	75/3
Draining capacity	l/min / gallon/min	170/45	170/45
Steam valve	inch	1/2	1/2
Steam pressure	psi	45-90	45-90
Liquid detergent supplies		5	5
Floor requirements			
Frequency of the dynamic force	Hz	18.3	17.1
Max floor load at extraction	kN lbs force	1.9 ± 0.5 417 ± 110	2.5 ± 0.5 560 ± 112
Sound levels			
Sound pressure level**	dB(A)	65	69
Sound power level (IEC 60704-2-4)	dB(A)	72	77
Heat emission			
% of installed power, max		5	5
Shipping data			
Weight	net, kg/lbs crated, kg/lbs	159/350 179/395	201/443 225/496
Shipping volume	m ³ /ft ³	0.75/26.5	0.99/35
Accessories			
Steel base		x	x
Hose kits for water or steam		x	x
Fluff collector		x	x
Dimensions in mm/inch			
A Width		720 / 28 3/8	830 / 32 11/16
B Depth		690 / 27 3/16	705 / 27 3/4
C Height		1115 / 43 7/8	1200 / 47 1/4
D		355 / 14	365 / 14 3/8
E		720 / 28 3/8	740 / 29 1/8
F		825 / 32 1/2	910 / 35 13/16
G		45 / 1 3/4	45 / 1 3/4
H		1030 / 40 9/16	1115 / 43 7/8
I		220 / 8 11/16	220 / 8 11/16
K		1010 / 39 3/4	1100 / 43 5/16
L		135 / 5 5/16	135 / 5 5/16
M		830 / 32 11/16	910 / 35 13/16
N		360 / 14 3/16	415 / 16 5/16
O		100 / 3 5/16	100 / 3 5/16
P		240 / 9 7/16	295 / 11 5/8
1 Electrical connection	6 Liquid supply connections		
2 Cold water	7 Control panel		
3 Hot water	8 Soap box		
4 Steam connection	9 Door opening ø 310 mm / 12 3/16 inch (W475H), ø 365 mm / 14 3/8 inch (W4105H)		
5 Drain			



Front



Right side



Rear side

Front and side panels in light grey with "Blue Wave" on front panel (RAL 260 70 05, 250 60 30)

* Other voltages available, see installation manual

** Approx. value at operators position in a mid-size laundry room