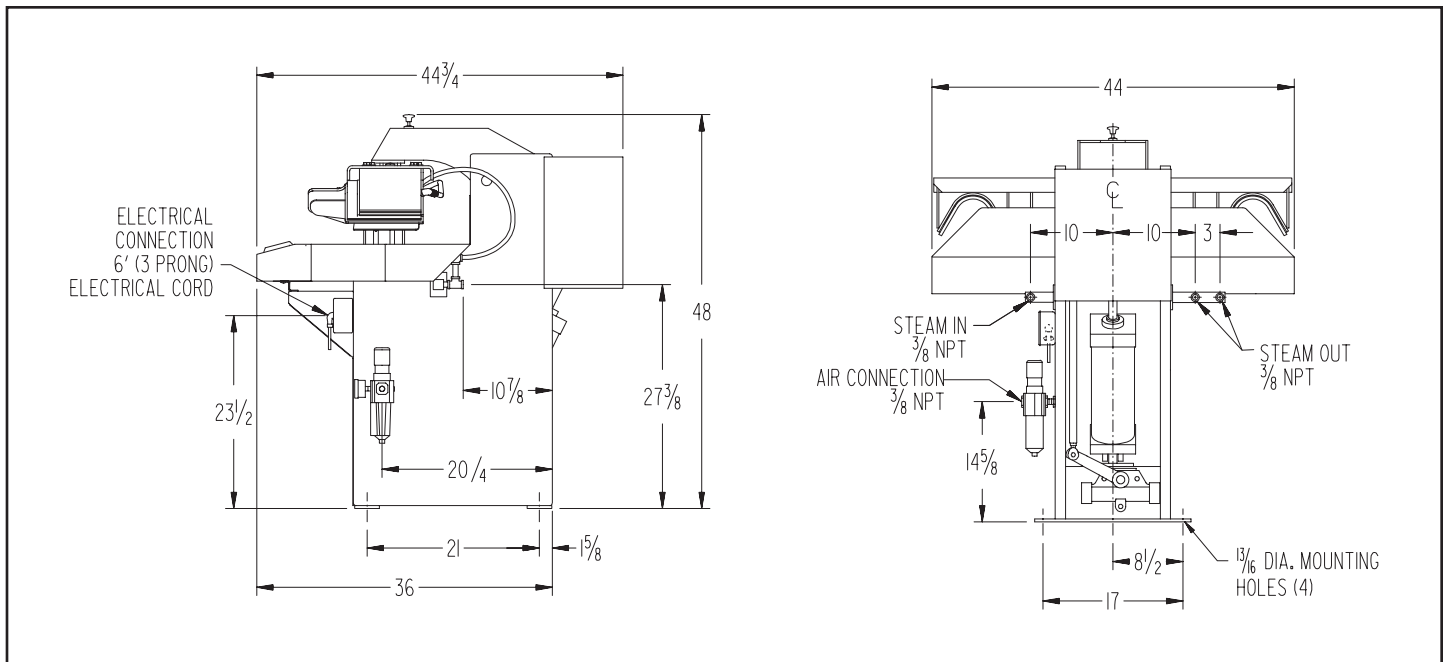
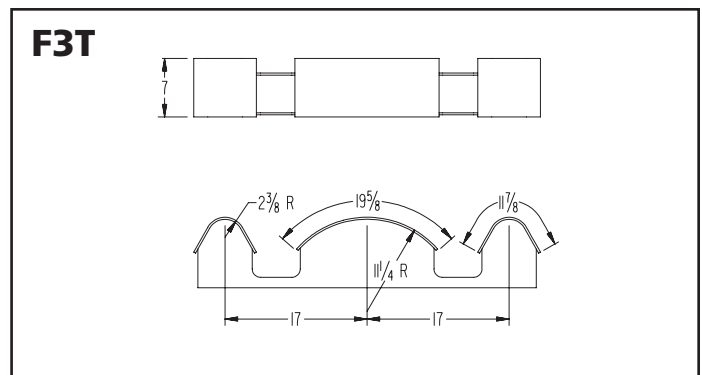
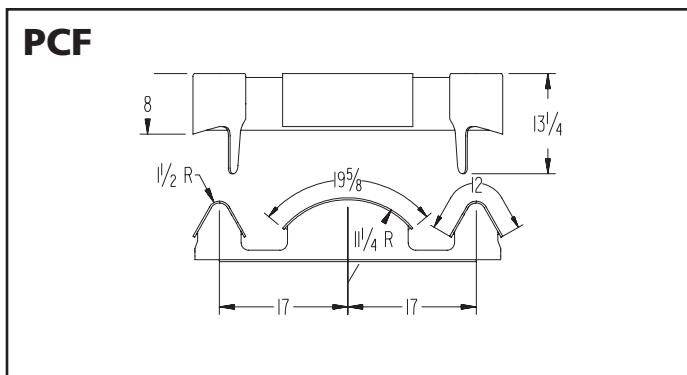


F Frame TECHNICAL DATA



BUCK DIMENSIONS



SPECIFICATIONS

	PCF/F3T
Overall Height	48"
Overall Length	44 3/4"
Overall Width	44"
Steam Inlet (1)	3/8" NPT
Steam Outlet (2)	3/8" NPT
Steam Supply	100 – 125 PSI
Boiler Horsepower	3/4 BHP
Air Inlet	3/8" NPT
Air Consumption/cycle	1 3/4 Cubic Feet/Cycle
Electrical	120/1/60
Amperage	1/2 amps
Net Weight	800 lbs.



UNIPRESS

3501 Queen Palm Drive Tampa, Florida 33619
Telephone (813) 623-3731 FAX (813) 626-2565

www.unipresscorp.com