

Washer extractor

W4250S, W4330S

Features and benefits

- Frequency-controlled motor with fixed wash and extraction speeds ensures smooth action in the wash and extraction sequence
- Good dewatering ability due to higher G-force compared with a traditional solid mount machine
- Solid mount construction with robust frame in galvanized steel
- Available with two types of program controls:
 - Compass Control® with:**
 - Large display and one dial for easy program selection
 - Language selection
 - Two Quick Start buttons for frequently used wash programs
 - Wash program packages optimized on *Economy*, *Performance* and *Time*
 - Clarus Control® with:**
 - Fully programmable microprocessor
 - All relevant wash parameters can be programmed
 - Programming from key pad or downloading via memory card
- AWS – Automatic Weighing System with Compass Control – determine the wash load and adopt the water intake accordingly. Savings on water and energy if machine is not fully loaded
- Extremely low water and energy consumption – see table below
- Four compartment soap box for manual dosing of powder or liquid detergent
- Large door opening for easy loading/unloading
- Stainless and galvanized steel in all vital parts for high degree of rust protection
- SuperBalance™ guarantees the correct extraction force



Compass Control

Main options

- Automatic liquid detergent supply (optional I/O board for Compass Control)
- Stainless steel front panel
- Stainless steel side panel (only with Clarus Control)

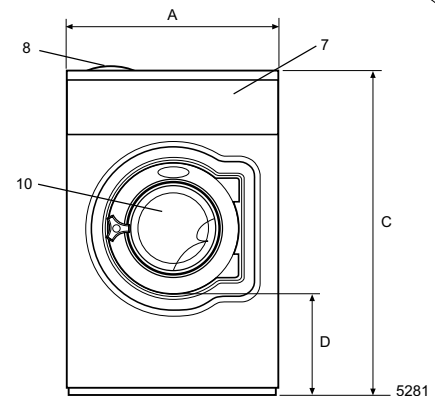


Clarus Control

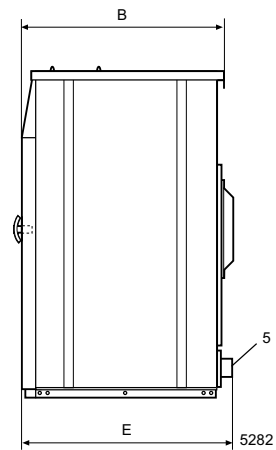
Main specifications		W4250S	W4330S
Max. capacity	kg/lb	28/62	35/77
Drum, volume	litre/ft ³	250/8.8	330/11.7
diameter	ø mm/inch	725 / 28 9/16	795 / 31 5/16
Extraction	rpm	702	671
G-factor		200	200
Heating alternatives	electricity	17.6	19.7
	steam	x	x
	non-heated	x	x
Consumption data "WARM" * (3S03)			
Total time	min	32	33
Water consumption (cold+hot)	litre/gallon	333+16 / 88+4.2	413+22 / 109+5.8
Energy consumption (motor)	kWh	0.20	0.25

* Water temperature 59°F cold water and 149°F hot water.

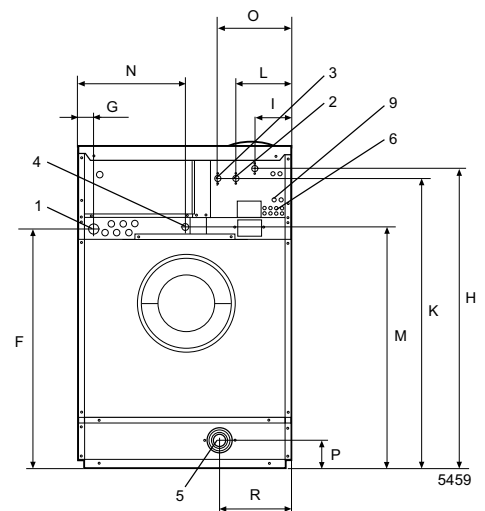
Electrical connections*			W4250S	W4330S
Heating	Voltage			
El.	208-240V 3AC 60 Hz	kW(A)	17.6(50)	21.2(63)
Steam	208-240V 1AC 60 Hz	kW(A)	1.4(15)	1.6(15)
or non-heated	120V 1AC 60 Hz	kW(A)	1.4(20)	1.6(20)
Water and steam connection				
Water valves		inch	3/4	3/4
Water pressure		psi	30-90	30-90
Capacity at 45 psi		l/min / gallon/min	20/5	60/15
Drain valve		ø mm/inch	75/3	75/3
Draining capacity		l/min / gallon/min	150/45	150/45
Steam valve		inch	1/2	1/2
Steam pressure		psi	45-90	45-90
Liquid detergent supplies			5	5
Floor requirements				
Frequency of the dynamic force		Hz	9.8	9.4
Max floor load at extraction		kN	3.7 ± 7.4	4.2 ± 8.8
		lbs force	842 ± 1301	1019 ± 1524
Sound levels				
Sound pressure level**		dB(A)	73	70
Sound power level (IEC 60704-2-4)		dB(A)	79	77
Heat emission				
% of installed power, max			5	5
Shipping data				
Shipping volume		net, kg/lbs	287/637	298/657
		crated, kg/lbs	302/666	318/701
		m ³ /ft ³	1.51/53.3	1.82/64.3
Accessories				
Hose kits for water or steam			x	x
Dimensions in mm/inch				
A	Width		830 / 32 11/16	910 / 35 13/16
B	Depth		955 / 37 5/8	1040 / 40 15/16
C	Height		1410 / 55 1/2	1445 / 56 7/8
D			470 / 17 1/8	500 / 19 11/16
E			990 / 39	1075 / 42 5/16
F			1120 / 44 1/8	1155 / 45 1/2
G			45 / 1 3/4	45 / 1 3/4
H			1330 / 52 3/8	1365 / 53 3/4
I			160 / 6 5/16	170 / 6 5/16
K			1290 / 50 13/16	1325 / 52 3/16
L			245 / 9 5/8	255 / 9 5/8
M			1125 / 44 5/16	1155 / 45 1/2
N			325 / 12 13/16	280 / 45 1/2
O			335 / 12 13/16	335 / 11
P			100 / 3 15/16	145 / 12 13/16
R			265 / 10 7/16	180 / 8 1/4
1	Electrical connections	6	Liquid supply connections	
2	Cold water	7	Control panel	
3	Hot water	8	Soap box	
4	Steam connection	9	Connections for water re-use	
5	Drain	10	Door opening ø 435 mm / 17 1/8 inch	



Front



Right side



Rear side

Front and side panels in light grey with "Blue Wave" on front panel (RAL 260 70 05, 250 60 30)

* Other voltages available, see installation manual

** Approx. value at operators position in a mid-size laundry room